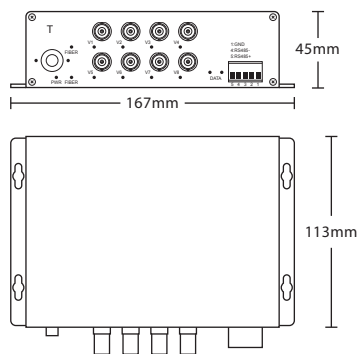


CL-TRX8-HDV-8V1RD-8P



DIMENSIONS



REAR PANEL



FEATURES

- Automatically identify formats of input videos
- Support transmission of 8 channel HD TVI / CVI / AHD video signal and controlling data simultaneously through coaxial cable
- Advanced lightning protection design, support 3kv lightning protection
- Single fiber transmission, optional 20km, 40km, 60km, 80km long-distance transmission
- Supports 1280x720P / 30Hz, 1920x1080P / 30Hz 2560x1960P / 30Hz resolution analog high-definition coaxial video with 3 megapixel, 4 megapixel and 5 megapixel pixel cameras, and broadcast-quality transmission quality
- Uncompressed real-time transmission to ensure the best video transmission effect
- Industrial-grade design, SMT process
- Can provide desktop, centralized card rack type 2 ways, simple installation

SPECIFICATIONS

Model	CL-TRX8-HDV-8V1RD-8P
Wavelength (Max. Transmit Distance)	1310nm (±10) Single-mode (max. 25km) / 1310nm (±10) Multi-mode (max. 2km)
Data Input	1 channel

OPTICAL

Wavelength	1310nm & 1470nm-1610nm
Fiber Type	Single mode, single fiber (default)
Distance	0km ~ 80km
Fiber Interface	FC (default) ST / SC (optional)

HD VIDEO

Video Interface Number	8
Physical Interface	BNC
Video Input and Output Impedance	75Ω (unbalanced)
Input Level	> 500mVp-p
Output Level	1Vp-p
Bandwidth	30MHz (720P) 60MHz (1080P) 150MHz (1960P)
Digit Bit Width	8 bit
Support Camera Pixels	3 megapixel, 4 megapixel, 5 megapixel
Video Pixel	1280(H) x 720(V) 1920(H) x 1080(V) 2560(H) x 1960(V)
Signal To Noise Ratio	> 60dB (weighted) (8 Bit)

DATA

Physical Interface	The industry standard connecting terminal
Interface Signal	RS485
Baud Rate	1200 ~ 9600 bit/s
BER	< 10 ⁻⁹

OTHER

Input Power Requirements	DC 5V
Power Adapter	AC 100V~240V
Operating Temperature	-20°C ~ +75°C
Storage Temperature	-40°C ~ +85°C
Working Humidity	0% to 95% (non-condensing)
Dimension(mm)	168(W) x 45(H) x 113(D)
Weight	1.65kg