



CAR PARK SYSTEM



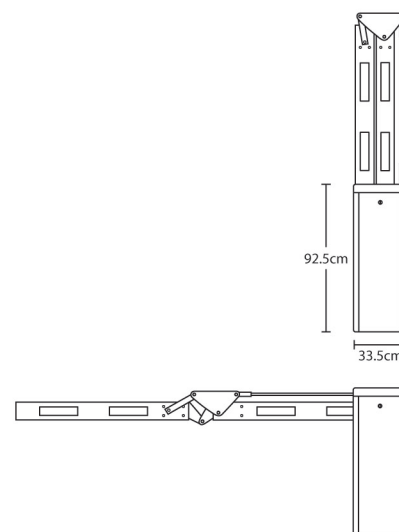
WD-05F Series Standard Folding Car Park Barrier

Features

- ▶ Diversified barrier bars with different length available, up to 5 meters maximum, which offers wide scope of application.
- ▶ Barrier bar in smooth and reliable lifting or falling.
- ▶ 3, 6 seconds lifting / falling time.
- ▶ Diversified housing, suitable to different environments and places.

Specifications

Model	WD-05F3	WD-05F4	WD-05F5
Length of Barrier Bar (M)	3	4	5
Materials of Barrier Bar	Aluminum square pipe		
Lifting/ Falling Time	3 sec	6 sec	
Operating Voltage	220±10% VAC 50 Hz		
Power	200w		
Mean Times to Failure	≥ 2.5 million times		
Ambient Temperature	Normal Model : -15°C to +60°C Low Temperature Model : -40°C to +60°C		
Case Dimension (mm)	335(W) x 925(H) x 285(D)		
Case Weight	40 kg		
Barrier Arm Weight	6.5 kg	7.25 kg	8 kg



* All Specifications / colors are subject to change without notice. (V.00)



CHECOL TECHNOLOGY LIMITED

TEL / FAX + (852) 2560 7011 / + (852) 2535 6388
 EMAIL mail@checol.com
 ADDRESS G/F, 57 King Yip Street, Kwun Tong, Kowloon, HK

