

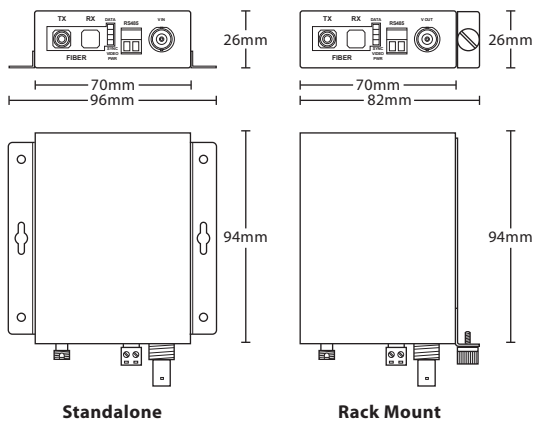
Digital Video Fiber Optic Transmission CL-TRX1-V1D Mini



Rack Mount Case
(Optional)



DIMENSIONS



REAR PANEL



FEATURES

- 10 Bit digital video for High Quality Video Transmission
- Provide the simultaneous transmission of video and full-duplex data over one fiber
- Directly compatible with NTSC, PAL or SECAM CCTV System
- LED status indicators provide rapid indication

SPECIFICATIONS

Model	CL-TRX1-V1D Mini
Wavelength (Max. Transmit Distance)	1310nm (±10) Single-mode (max. 25km) / 1310nm (±10) Multi-mode (max. 2km)
Data Input	1 channel

VIDEO

Video Input	1 channel
Input / Output Impedance	75Ω (unbalanced)
Input / Output Amplitude	1Vp-p (peak value)
Bandwidth	6.5M ~ 16.5MHz
Differential Gain	1%
Differential Phase	< 0.6°
Tilt	< 0.5%
Weighted Signal-to-Noise Ratio	67dB

DATA

Data Interface	RS232 / RS485 / RS422 / Manchester
Data Rate	0 ~ 115.2Kbps
Operation Mode	Full-Duplex / Half-Duplex

OTHER

Optical Interface	FC
Data Interface	RJ45
Video Interface	BNC
Number of Fiber	1 line
Operating Temperature	-30°C ~ +75°C
Storage Temperature	-40°C ~ +80°C
Relative Humidity	0% to 95% (non-condensing)
Dimension(mm)	Standalone : 94(L) x 96(W) x 26(H) Rack Mount : 94(L) x 82(W) x 26(H)
Weight	approx. 200g