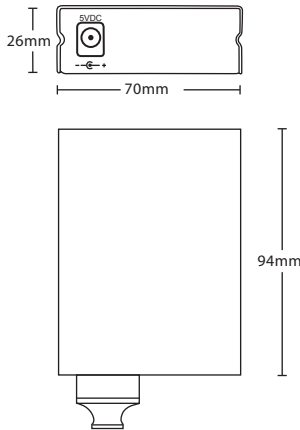


# Ethernet Media Converter

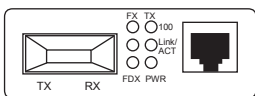
## CL-TRX-5208 Series



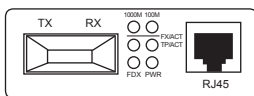
### DIMENSIONS



### LED PANEL



CL-TRX-5208-100



CL-TRX-5208-1000

### SPECIFICATIONS

Model	CL-TRX-5208-100 / CL-TRX-5208-1000
Standard	CL-TRX-5208-100 : IEEE 802.3 10BaseT, IEEE 802.3u 100BaseTX, IEEE 802.3u 100BaseFX  CL-TRX-5208-1000 : IEEE802.3 10 Base-T, IEEE802.3u 100 Base TX, IEEE802.3ab 1000Base-Tx, IEEE802.3z 1000 Base FX
TP Connector	RJ-45 port, connected to STP/UYP category-5 twisted pair
Fiber Connector	Single mode: SC or FC
LED Indicators	CL-TRX-5208-100 : PWR, FX 100, FX Link/Act, FDX, TX 100, TX Link/Act  CL-TRX-5208-1000 : PWR, TP/ACT, 100M, FDX, FX/ACT, 1000M
Data Rate	CL-TRX-5208-100 : Twisted Pair: 10Mbps, 100Mbps Fiber: 100Mbps  CL-TRX-5208-1000 : Twisted Pair: 10Mbps, 100Mbps, 1000Mbps Fiber: 1000Mbps
Flow Control	iEEE802.3X flow control for full-duplex model Back-pressure flow control for half-duplex model
Power Supply	DC 5V
Operating Temperature	0 ~ 50°C
Operating Humidity	5% ~ 90%
Storage Temperature	-20 ~ 70°C
Storage Humidity	5% ~ 90% (non-condensing)
Dimensions(mm)	94L x 70W x 26H

### PRODUCT APPLICATION

