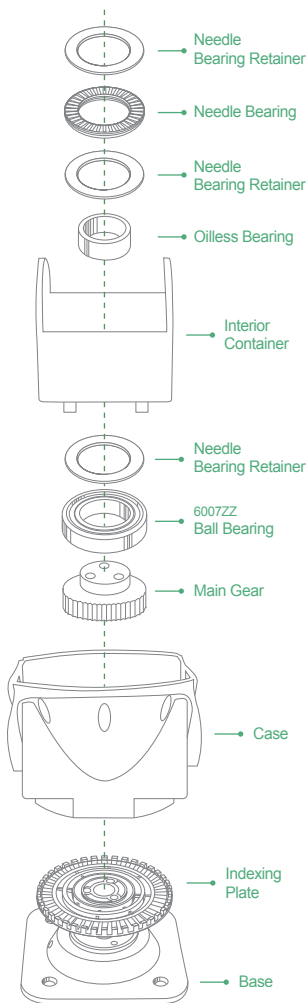
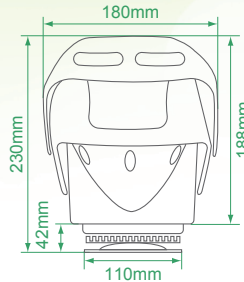


CHE-91MC

CCTV Outdoor Pan/Tilt Scanner

Passed IP67 certification, uses the most robust PC and P5 engineering plastic and are revolutionary materials not replaceable by metals with the properties of: water proof, flame proof, sunlight proof, insulating, not water permeable, non-cracking and noiseless.

It is equipped with motor #4208 has torque of 90-kgf-cm with 1RPM, and may be completely controlled at the 45° angle without sagging. Ensure the images are steady and noiseless.



Model	CHE-91MC
Description	Outdoor Pan/Tilt Scanner
Internet Function	With IC part inside, and HT-DC Digital Controller Panel which controls 1-99pcs PTZ and could be expanded to be 253pcs PTZ.
Lens Function	With lens inside and the function of zoom in/out and focus, the HD-DC Digital Controller Panel could monitor almost every area and location, such as company, factory, warehouse, sand trees.
Remote Surveillance	Connected to HT-DC with RS485 which can have the function of remote surveillance.
MTR: Double Construction Outer pc5+Lexan+Exl Inner Construction POM	PC5+Lexan+Exl is called polycarbonates. "Outdoor skiing gum" can be used outdoor. The main body structure of inner layer is plastic steel POM Main body inner and outer layer double-layered structure ; inner layer supports main body by a structure of plastic steel POM + plastic injection of fiber embedded with copper.
Outdoor Polycarbonates PC5+Lexan+Exl -40°C~90°C	A. PC5+LEXAN+EXL polycarbonate + silicone composite, known as "outdoor skiing engineering plastic". Advantages : 1. Impact resistant 2. Weather proof 3. Aging resistant 4. Flame retarding 5. Strong welding wire; known as "outdoor skiing engineering plastic" and is better than PC ; it uses world's most advanced material 6. Corrosion resistant 7. Deterioration resistant. B. In other words, the materials of HT-91MD are the best outdoor materials for outdoor skiing, biking, and cruising. Please refer to the webpage for 800Kgs car damage test.
Waterproof (IP67)	Not replaceable by metals; the outdoor weather-proof plastic composite is not water permeable, does not crack or conduct heat or electricity, and has a fresh appearance; sealed by machine oil to be 95% water proof and passed IP67 certification; completely overcomes the safety issues of the inability of conventional plastic gluing to be 95% water proof and industrial natural water-proof materials.
Power	AC 24V±5% (60 / 50Hz)
Power Consumption	Pan: 2W ; Tilt: 4W
Motor Torque	Pan: 40Kgs ; Tilt: 80Kgs
Rotation	Pan: 350° ; Tilt: 30°~60°
Speed	Pan: 6° / sec (60Hz) ; 5° / sec (50Hz) ; Tilt : 3.6° / sec (60Hz) ; 3° / sec (50Hz)
Operating Humidity	Relative Humidity 35% ~ 95%
Motor Voltage	Enamelled wire is the most important part of a motor because it can affect circuit safety. Using enamel wire that has voltage tolerance 2500V/sec can ensure circuit safety. No damage if motor stops during power on.
Rotation Control	Pan: Continuous ; Tilt: Intermittent
Maximum Load	Pan: 30Kgs ; Tilt: 15Kgs
Operating Temperature	- 20°C ~ 90°C
Transmission Structure	The main body comprises two sets of needle roller bearings, ball bearings, and counterweight sleeves control structure to prevent dislocation, wear, and deformation; they may reduce wear by 90% and increase torque by 60%; the carbon steel gear is controlled by the NdFeB magnet and the magnetic brake may hold at default angles without sagging.
Dimensions (mm)	Ø180 × 230(H)
Weight	3.2 kgs

* All Specifications / colors are subject to change without notice. (V.01)