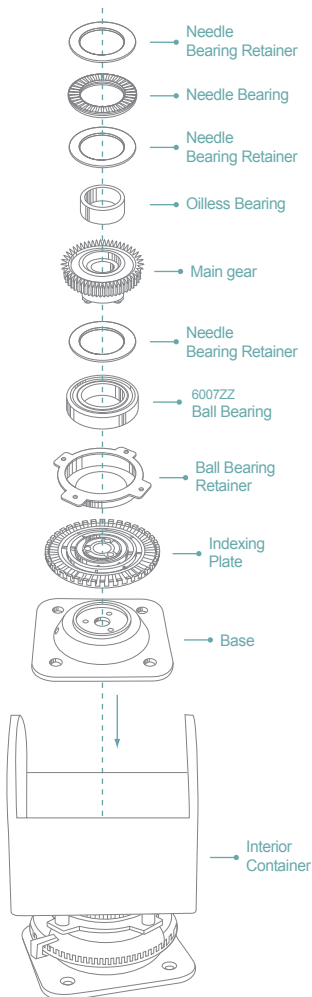
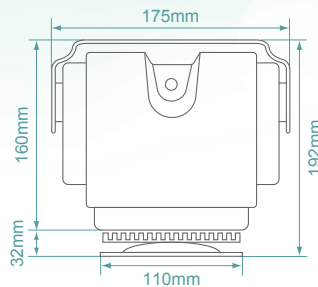


CHECOL

CHE-81MC

CCTV Indoor Pan/Tilt Scanner

It is equipped with motor #4208 has torque of 75-kgf-cm with 1RPM, and may be completely controlled at the 45° angle without sagging. Ensure the images are steady and noiseless.



| | |
|---|--|
| Model | CHE-81MC |
| Description | Indoor Pan/Tilt Scanner |
| MTR: Double Construction Outer pc5+Lexan+Exl Inner Construction POM | Main body inner and outer layer double-layered structure ; inner layer supports main body by a structure of plastic steel POM + plastic injection of fiber embedded with copper. |
| Power | AC 24V±5% (60 / 50Hz) |
| Power Consumption | Pan: 2W ; Tilt: 4W |
| Motor Torque | Pan: 40Kgs ; Tilt: 80Kgs |
| Rotation | Pan: 350° ; Tilt: 30°~ 60° |
| Speed | Pan: 6° / sec (60Hz) ; 5° / sec (50Hz) ; Tilt : 3.6° / sec (60Hz) ; 3° / sec (50Hz) |
| Operating Humidity | Relative Humidity 35% ~ 95% |
| Motor Voltage | Enameled wire is the most important part of a motor because it can affect circuit safety. Using enamel wire that has voltage tolerance 2500V/sec can ensure circuit safety. No damage if motor stops during power on. |
| Rotation Control | Pan: Continuous ; Tilt: Intermittent |
| Maximum Load | Pan: 30Kgs ; Tilt: 15Kgs |
| Operating Temperature | - 5°C ~ 65°C |
| Transmission Structure | The main body comprises two sets of needle roller bearings, ball bearings, and counterweight sleeves control structure to prevent dislocation, wear, and deformation; they may reduce wear by 90% and increase torque by 60%; the carbon steel gear is controlled by the NdFeB magnet and the magnetic brake may hold at default angles without sagging. |
| Dimensions (mm) | 175(W) × 192(H) × 112(D) |
| Weight | 2.65 kgs |

* All Specifications / colors are subject to change without notice. (V.01)