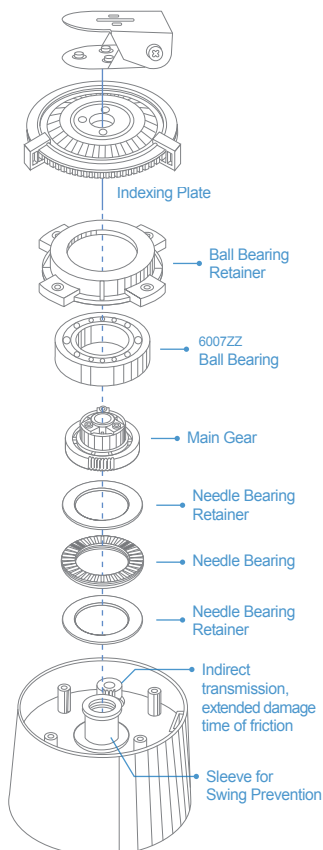
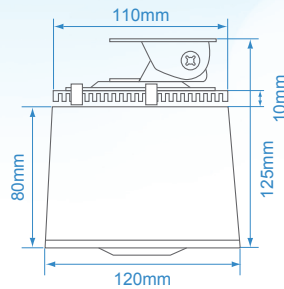


**CHECOL**<sup>®</sup>

# CHE-71MC

## CCTV Indoor Pan Scanner

It is equipped with motor #6007, which has low current, low temperature rise and low wearing-out rate. All injection nuts are brass screw inserted. Anti-aging & anti-deformation.



Model	CHE-71MC
Description	Indoor Pan Scanner
MTR: Double Construction Outer pc5+Lexan+Exl Inner Construction POM	Single layer construction ABS+Fireproof Fiber.
Power	AC 24V±5% (60 / 50Hz) or AC 220V±10% (60 / 50Hz)
Power Consumption	Pan: 2W
Motor Torque	Pan: 40Kgs
Rotation	Pan: 355°
Speed	Pan : 6° / sec (60Hz) ; 5° / sec (50Hz)
Operating Humidity	Relative Humidity 35% ~ 95%
Motor Voltage	Enameled wire is the most important part of a motor because it can affect circuit safety. Using enamel wire that has voltage tolerance 2500V/sec can ensure circuit safety. No damage if motor stops during power on.
Rotation Control	Monitor and rotate for 24 hours
Maximum Load	Pan: 20Kgs
Operating Temperature	- 5°C ~ 65°C
Transmission Structure	The main body comprises two sets of needle roller bearings, ball bearings, and counterweight sleeves control structure to prevent dislocation, wear, and deformation; they may reduce wear by 90% and increase torque by 60%; the carbon steel gear is controlled by the NdFeB magnet and the magnetic brake may hold at default angles without sagging.
Dimensions (mm)	Ø120 × 125(H)
Weight	1.16 kgs

\* All Specifications / colors are subject to change without notice. (V.01)

**CHECOL**<sup>®</sup>  
www.checol.com

**CHECOL TECHNOLOGY LIMITED**

TEL / FAX + (852) 2560 7011 / + (852) 2535 6388  
EMAIL mail@checol.com  
ADDRESS G/F, 57 King Yip Street, Kwun Tong, Kowloon, HK

