

Video Modem System

VDS-2500

VDS VIDEO
MODEM
SYSTEM
The Best Solution on Coaxial Cable



VDS 2500-R sender
(Remote Unit - RU)

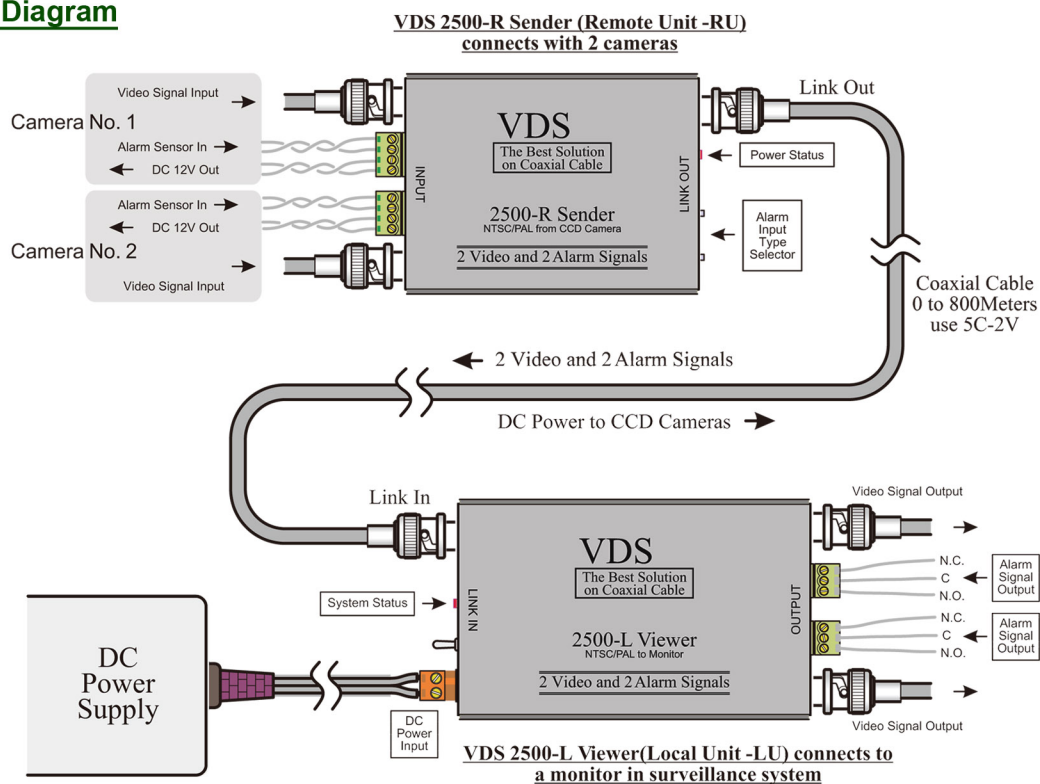
VDS 2500-L viewer
(Local Unit - LU)

Features

- ◆ Two videos and two alarm signals transmission channel
- ◆ Sending DC power with 0.8Amp in reward from Viewer to Sender reaching to 800M transmission length
- ◆ Selecting NC (Normally Close) or NO (Normally Open) or Termination type from Input Alarm sensor contact form directly
- ◆ Auto DC power supply system provides stable and sufficient 12VDC power to Camera.

This video signal transmission system is design to transmit two video signals and two alarm signals from two cameras which with two alarm sensors in to reach the surveillant control zone by using only one coaxial cable.

Connection Diagram



* All Specifications / colors are subject to change without notice. (V.02)