

Video Modem System

VDS-2700

VDS VIDEO
MODEM
SYSTEM
The Best Solution on Coaxial Cable

VDS 2700-R sender
(Remote Unit - RU)



VDS 2700-L viewer
(Local Unit - LU)

Features

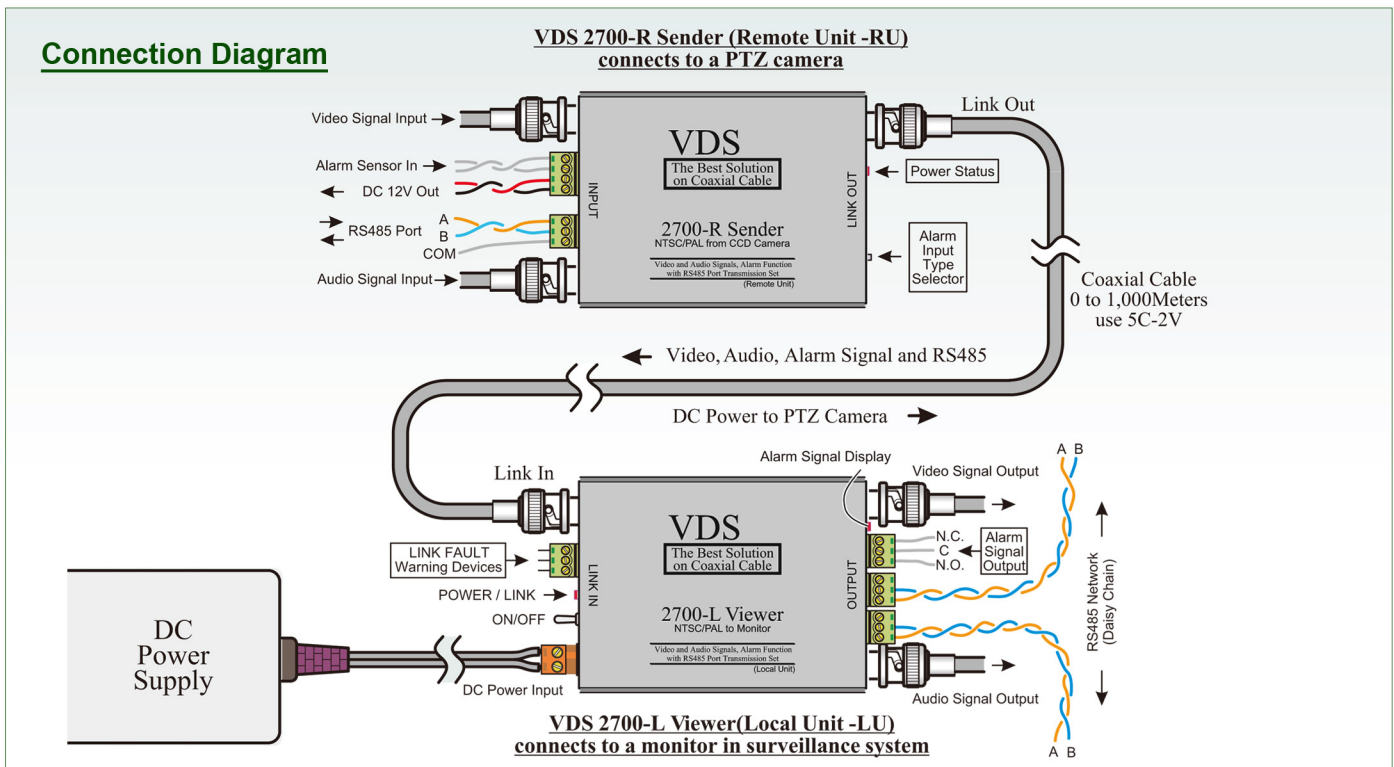
- ◆ Half duplex channel for EIA standards RS-485 interface port.
- ◆ The range of RS-485 Transmission Rate is between DC and 38 Kbits
- ◆ Great quality at video signal:
 - Real-time analogue video signals
 - No signal lost, No interference in video
 - No hum, No twist
- ◆ Using 5C-2V (Japan Spec) coaxial cable:
 - Transmission distance can reach to 600M while sending the DC power 12V to P/T/Z camera via one coaxial cable.
 - Without sending DC power to camera via link coaxial cable:
 - Transmission distance can reach to 1,000M with connect to PTZ camera
- ◆ Link Fault alert buzzer inside (Siren sound)
- ◆ Built-in electrical transient voltage suppressor protection in the input and output
- ◆ Link cable lightning protection:
 - Equipped with Gas Tube Arrester discharging high current inside the Local Unit Link-In and Remote Unit Link-Out.
- ◆ Compact size, durable and reliable device.

VDS-2700 is the video signal transmission system to transmit video, alarm, audio, RS-485 data and DC power via one coaxial cable.

VDS-2700 consists of remote unit and local unit respectively. The remote unit connects to a P/T/Z (pan/tilt/zoom) camera, the local unit connects to a monitor in surveillance system.

By using inter-carrier technology, VDS-2700 provides an innovative transmission method, simple installation and the highest quality picture transmitted for CCTV system.

Connection Diagram



* All Specifications / colors are subject to change without notice. (V.02)