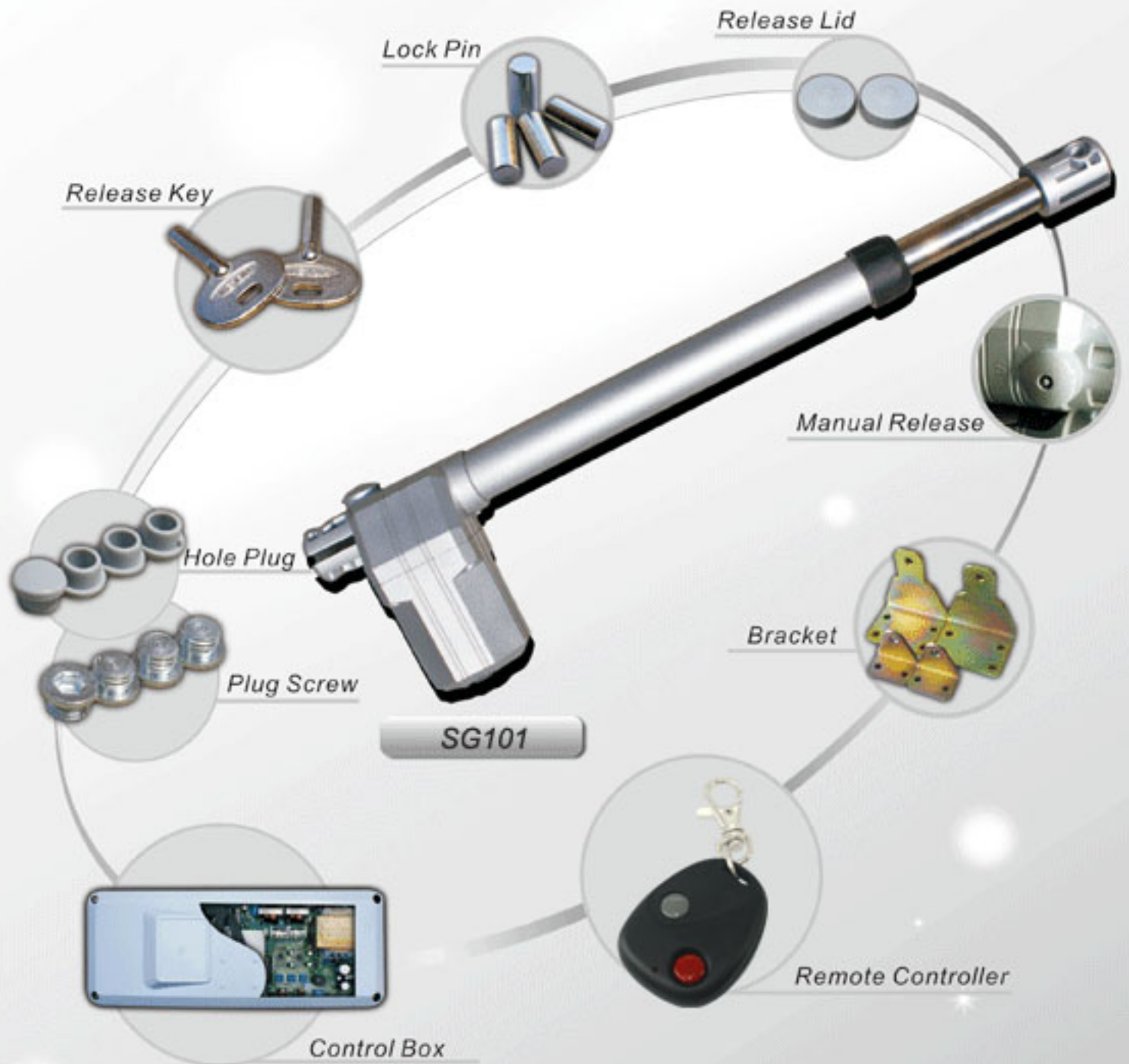




# Swing Gate Opener

SG101



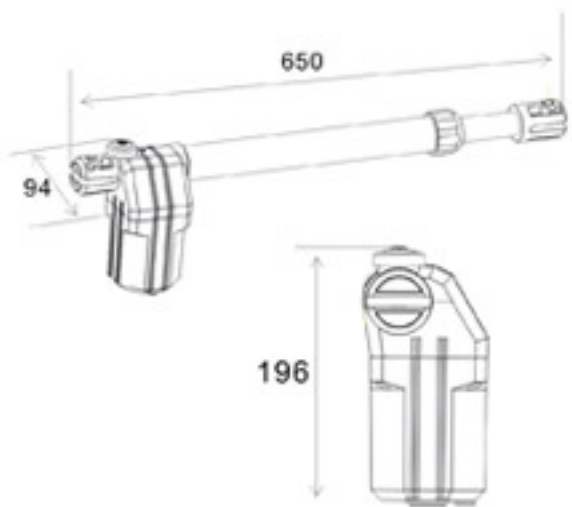
## Motor Data

Model	SG101
Parameters	
Voltage	220V±10%, 110V±10%
Frequency	50/60Hz
Motor voltage	220V, 110V
Capacitor	(220V)8 $\mu$ F/450V, (110V)30 $\mu$ F/250V
Power	120W
Travel	300mm
Motor speed	1400r/min
Travel speed	18sec
Protection grade	IP44
Working temperature	-25 $^{\circ}$ C/+75 $^{\circ}$ C
Manual release	Yes
Gross weight	18kg
Max Weight of wing	300kg
Max length of wing	2.5m
Max opening angle of wing	110 $^{\circ}$

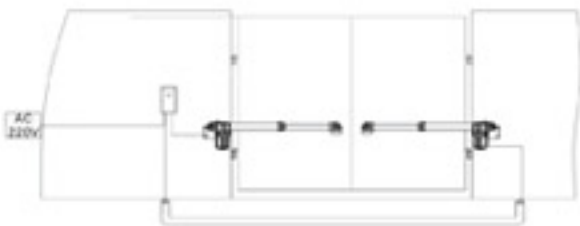
## Electronic Data

Model	SG101
Parameters	
Soft start	YES
Stop on obstacle (sensitivity adjustable)	YES
Auto Warming-up (at freezing temperature)	YES
Asynchronous Operation	YES
Remote control	418MHz(50m, approx)
Wire control	YES
Auto closing	YES
Vehicle loop detector socket	YES
Photocell socket	YES
Alarm light socket	YES

## SG101 Dimension



## Installation Drawing



## Optional Parts



Vehicle Loop Detector



Radio Emitter



Alarm Light



Infrared Photocell

\* All Specifications / colors are subject to change without notice. (V.00)