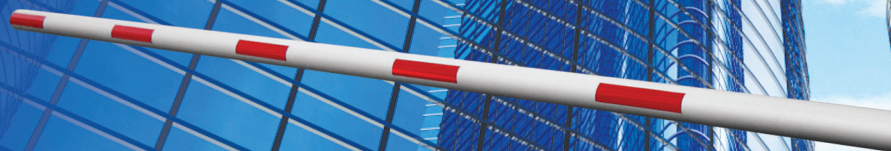




CAR PARK SYSTEM



ETC-BR400A.24 Standard Car Park Barrier

Electromechanical barrier for booms up to 4m.
The new limit switch system as well as the encoder on board and an innovated control panel, grant a perfect endurance and a lasting gearbox in combination with a precise soft stop system of the boom and a obstacle detention very fast and safe.

Features

- ▶ Motor low voltage 24V to guarantee continuous operation.
- ▶ Mechanical release lock from the outside with easy to use.
- ▶ Modular control card and protected with simple and intuitive programming.
- ▶ Encoder which allows a precise and secure management of the delays in opening and closing.
- ▶ Magnetic limit switch.

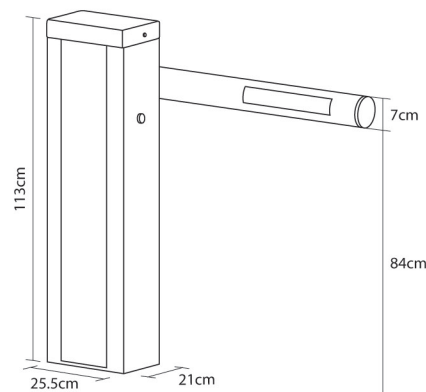


Boom Connection Bracket

Easy system of key release in case of power failure

Specifications

Model	ETC-BR400A.24
Length of Barrier Boom (M)	2 - 4
Materials of Barrier Boom	Aluminum
Boom Shape	Round Shape
Boom Color	Aluminum color with Red strip
Operating Voltage	220±10% VAC
Motor Power Supply (V)	24 Vdc
Electric Motor Power (W)	80
Torque Force (Nm)	360
Opening Time 45°	4 - 8 sec
Operating Temperature	-20°C / +70°C
Protection Level	IP55
Case Dimension (mm)	255(W) x 1130(H) x 210(D)
Case Weight	40 kg



* All Specifications / colors are subject to change without notice. (V.00)



CHECOL TECHNOLOGY LIMITED

TEL / FAX + (852) 2560 7011 / + (852) 2535 6388
EMAIL mail@checol.com
ADDRESS G/F, 57 King Yip Street, Kwun Tong, Kowloon, HK

