

## Twin-Beam Infrared Photobeam Sensor



**LK-10HD** (10m)



**LK-12HD**

(12m, Alignment angle  $\pm 15^\circ$ )



## Reflector-Beam Infrared Photobeam Sensor



**LK-5HR** (5m)



**LK-7HR**

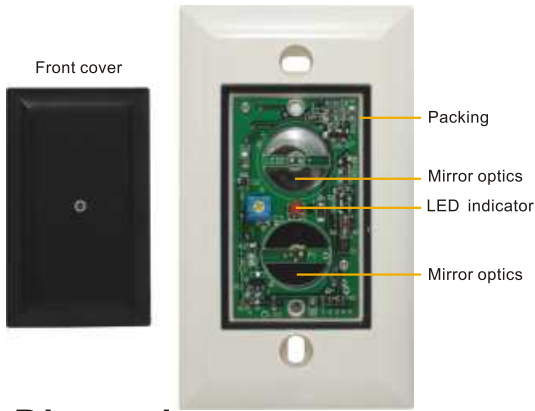
(7m, Alignment angle  $\pm 15^\circ$ )



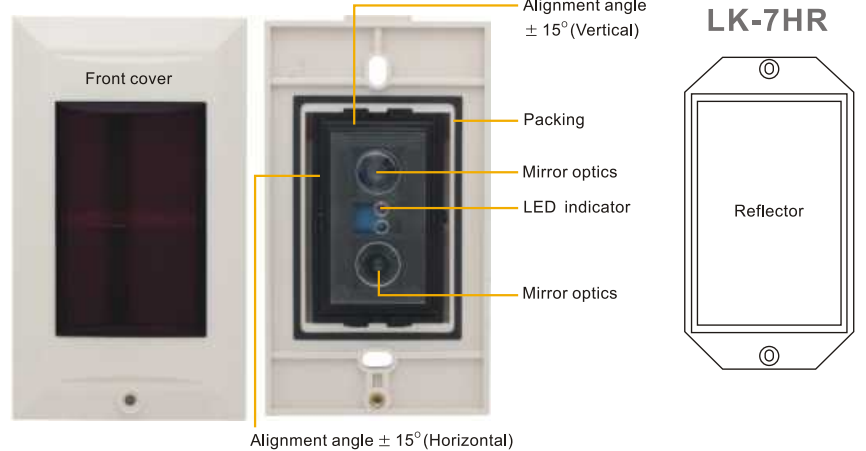
- Protection range: 12m(Twin-beam LK-12HD), 7m(Reflector-beam LK-7HR)
- Protection range: 10m(Twin-beam LK-10HD), 5m(Reflector-beam LK-5HR)
- All models mount with a standard signal gang electric box.
- Excellent external light immunity.
- LED alignment indicator-visibly confirms proper alignment.
- Beam protection for entrances, exits, corridors and staircases.

# Parts Identification:

## LK-10HD, LK-5HR

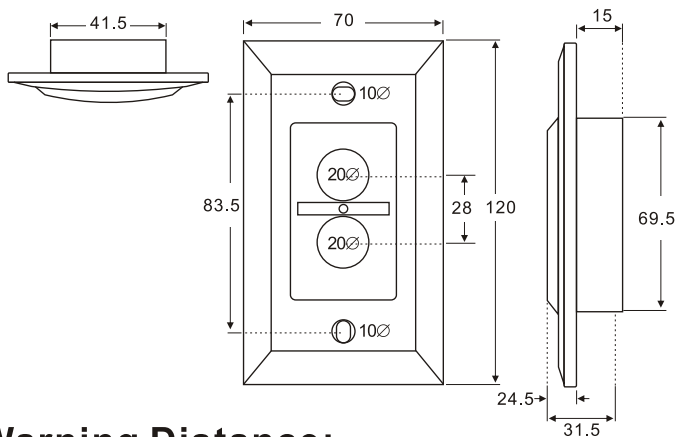


## LK-12HD, LK-7HR

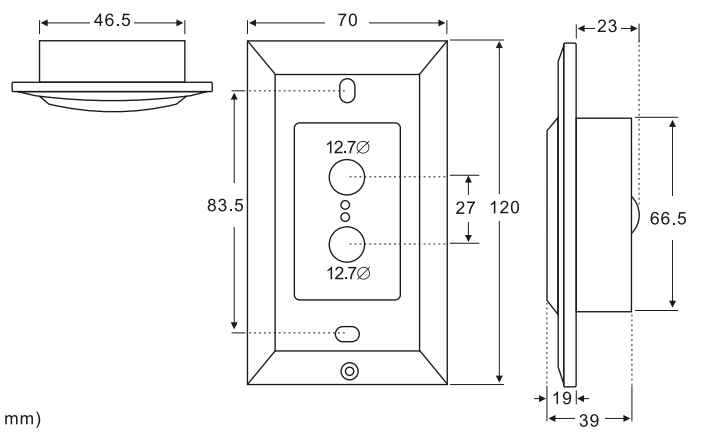


# Dimension:

## LK-10HD, LK-5HR



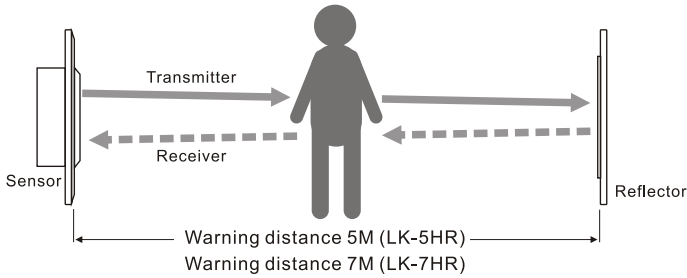
## LK-12HD, LK-7HR



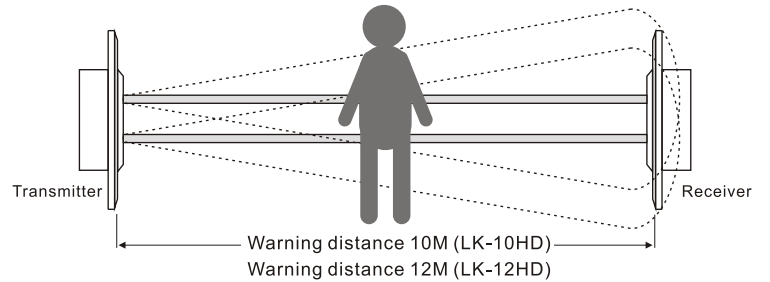
(Unit: mm)

# Warning Distance:

## LK-5HR, LK-7HR(Reflector-Beam)



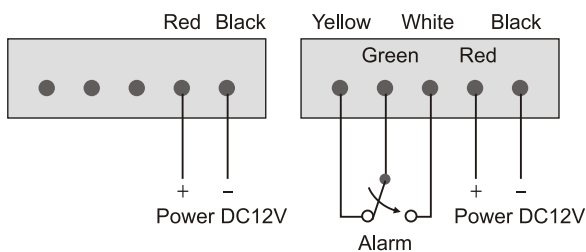
## LK-10HD, LK-12HD(Twin-Beam)



# Wiring Configuration:

LK-10HD Transmitter  
LK-12HD Transmitter

LK-10HD Receiver  
LK-12HD Receiver  
LK-5HR  
LK-7HR



# Specification:

Model	LK-10HD	LK-12HD	LK-5HR	LK-7HR
Alarm distance	10m	12m	5m	7m
Detection method	Infrared photoelectric			
Infrared beam	500Hz	500Hz	500Hz	7.6KHz
Response time	100m sec	50m sec	100m sec	50m sec
supply voltage	DC11~20V	DC11~18V	DC11~20V	DC11~18V
Power consumption	40mA	45mA	30mA	55mA
Alignment angle	-	Vertical ±15° Horizontal ±15°	-	Vertical ±15° Horizontal ±15°
Alarm signal	Non-voltage contact 1a, 1b(24VDC/1A)			
Operating temperature	-20 ~ +50°C			
LED indicator	Receiver red LED on in alarm condition		Red LED on in alarm condition	
Connection	Lead wire			