

LR-245

UHF Long Range Reader



Features

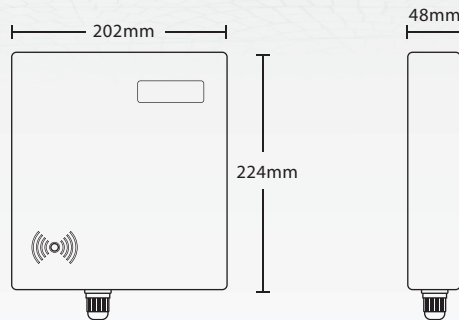
- ❖ Long Range Reader read up to 10 meters
- ❖ 2.45GHz ISM Band
- ❖ Encrypted tag ID and Secure Protocols between Reader and Tags
- ❖ Multiple Tags Identification (30 Tags / Sec)
- ❖ 120°, One-directional Antenna (Option : Omni directional antenna)
- ❖ 26bit Wiegand Interface Output Format
- ❖ Applications : Parking Control, Logistics Tracking, Asset Control, Personal Tracking



LR-103

LR-245

Dimensions



Specifications

For UHF Long Range Reader

Model	LR-245
Frequency	2.45GHz
Reading Range	2 to 10 meters
Modulation	Encrypted GFSK
Directivity	120°, One-directional
Receiver Gain	Better than -90dBm
Power / Current	12VDC / Max.60mA
Output Format	26bit Wiegand Interface
LED Indicator	Built-in Red Color LED
Beeper	Built-in Piezo Buzzer
Operation Temperature	-40°C to +70°C
Dimension(mm)	202(W) x 224(H) x 48(D)
Weight	Approx. 2kg excluding Mounting Bracket

For Active RF Card

Model	LR-103
Frequency	2.45 GHz
Material	White PVC
Dimension(mm)	54.2(W) x 86.1(H)
Thickness(mm)	6.8
ID Number	26 Bit

* All Specifications / colors are subject to change without notice. (V.03)