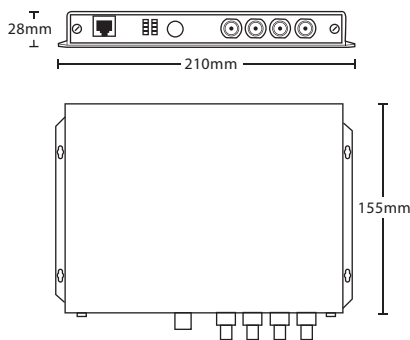


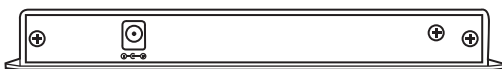
# Digital Video Fiber Optic Transmission CL-TRX4 Series



## DIMENSIONS



## REAR PANEL



## FEATURES

- 10 Bit digital video for High Quality Video Transmission
- Provide the simultaneous transmission of video and full-duplex data over one fiber
- Directly compatible with NTSC, PAL or SECAM CCTV System
- LED status indicators provide rapid indication

## SPECIFICATIONS

### CL-TRX4-V / CL-TRX4-V4A

Model	CL-TRX4-V	CL-TRX4-V4A
Wavelength (Max. Transmit Distance)	Single-mode (max. 25km) / Multi-mode (max. 2km)	
Audio Input	---	1 channel
Video Input	4 channel	
Bandwidth	8M ~ 15MHz	
Differential Gain	< 1%	
Differential Phase	< 0.7°	
Tilt	< 0.5%	
Weighted Signal-to-Noise Ratio	≥ 70dB	
Audio Input / Output Level	---	2Vp-p
Frequency Response	---	20Hz-20KHZ
Audio Number Width	---	24 bit
Weighted Noise Ratio	---	≥ 85db
Optical Interface	FC	
Data Interface	RJ45	
Video Interface	BNC	
Number of Fiber	1 line	
Operating Temperature	-30°C ~ +75°C	
Storage Temperature	-40°C ~ +85°C	
Relative Humidity	0% to 95% (non-condensing)	
Dimension(mm)	155(L) x 210(W) x 28(H)	
Weight	580g	

### CL-TRX4-V1D / CL-TRX4-V4A1D

Model	CL-TRX4-V1D	CL-TRX4-V4A1D
Wavelength (Max. Transmit Distance)	Single-mode (max. 25km) / Multi-mode (max. 2km)	
Audio Input	---	4 channel
Data Input	1 channel	
Video Input	4 channel	
Bandwidth	8M ~ 15MHz	
Differential Gain	< 1%	
Differential Phase	< 0.7°	
Tilt	< 0.5%	
Weighted Signal-to-Noise Ratio	≥ 70dB	
Audio Input / Output Level	---	2Vp-p
Frequency Response	---	20Hz-20KHZ
Audio Number Width	---	24 bit
Weighted Noise Ratio	---	≥ 85db
Data Interface	RS232 / RS485 / RS422 / Manchester	
Data Rate	0 ~ 256Kbps	
Operation Mode	Full-Duplex / Half-Duplex	
Optical Interface	FC	
Data Interface	RJ45	
Video Interface	BNC	
Number of Fiber	1 line	
Operating Temperature	-30°C ~ +75°C	
Storage Temperature	-40°C ~ +85°C	
Relative Humidity	0% to 95% (non-condensing)	
Dimension(mm)	155(L) x 210(W) x 28(H)	
Weight	580g	